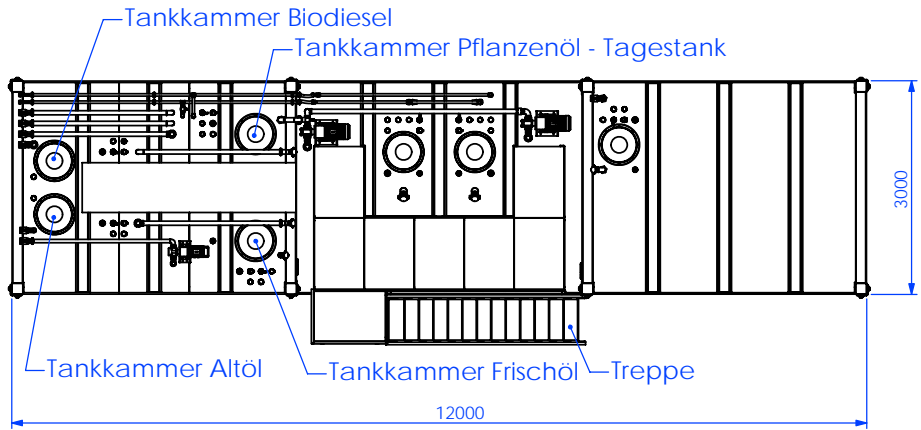
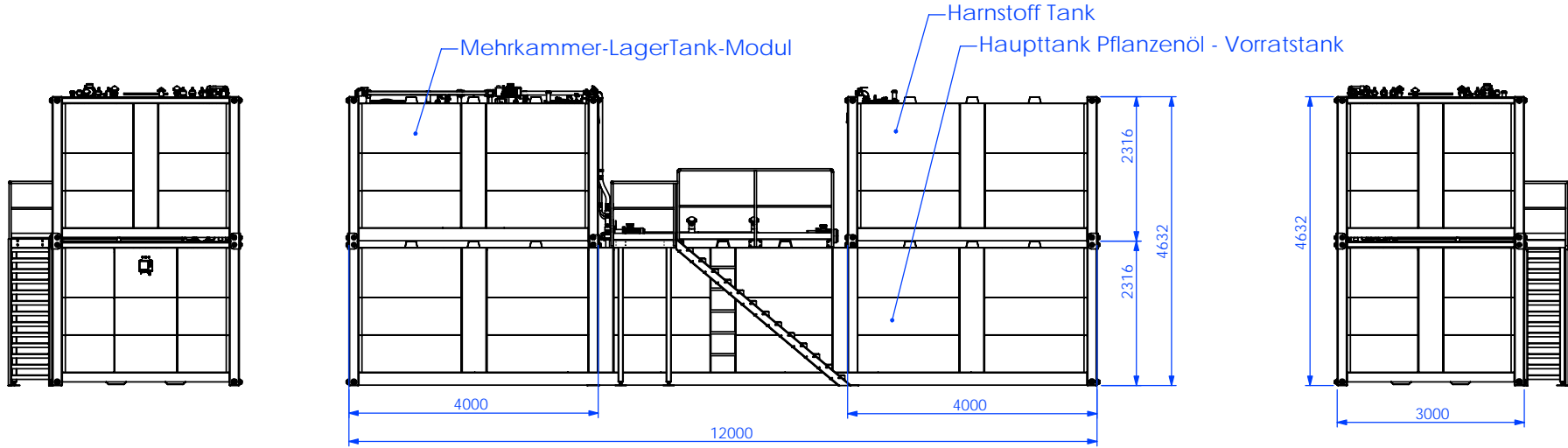


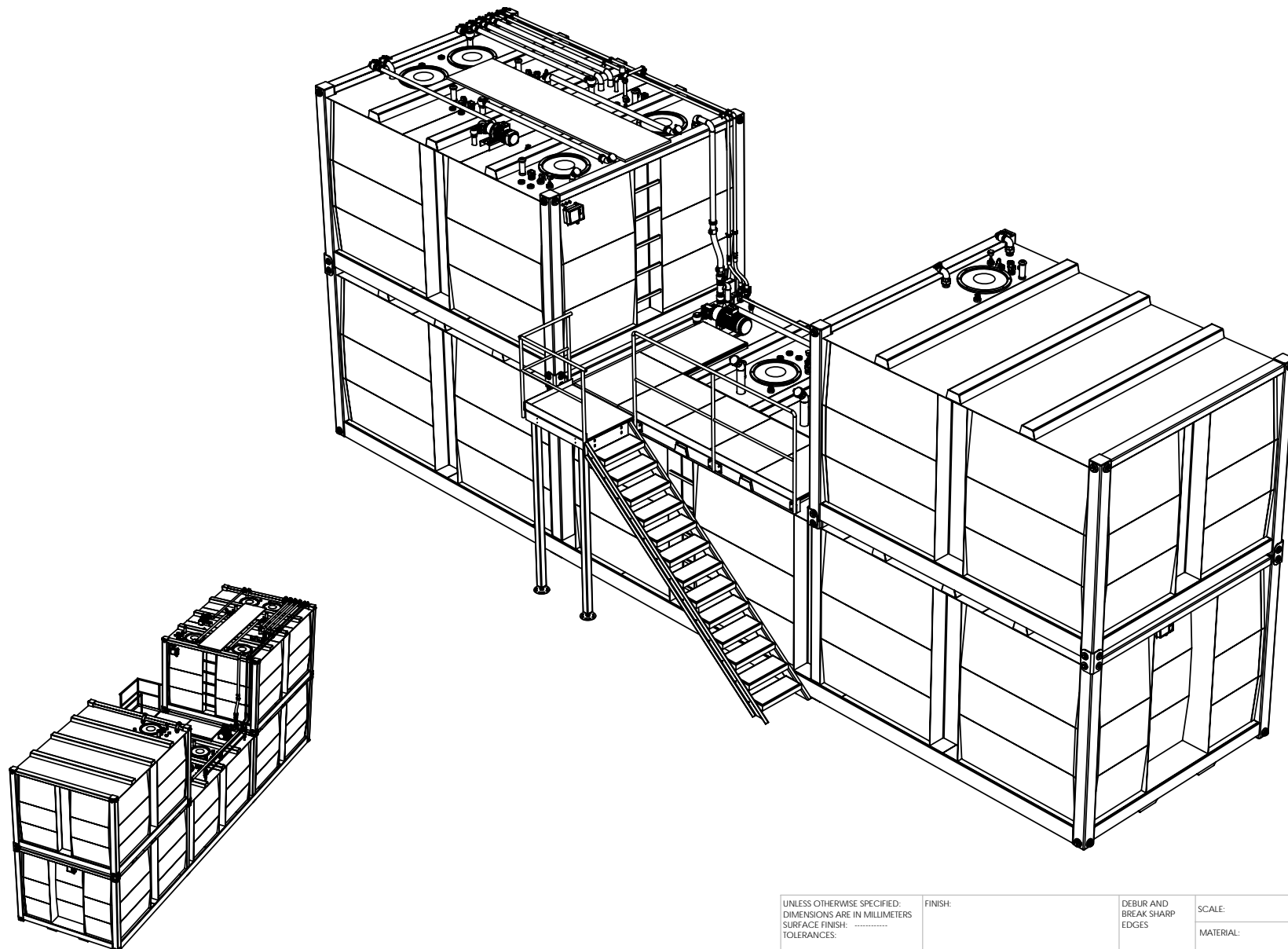
1 2 3 4 5 6 7 8

A
B
C
D
E
F



Technische Änderungen bleiben vorbehalten !
Change reserve !

UNLESS OTHERWISE SPECIFIED: DIMENSIONS ARE IN MILLIMETERS SURFACE FINISH: TOLERANCES:		FINISH:	DEBUR AND BREAK SHARP EDGES	SCALE: 1:75	WEIGHT:
DRAWN: Krisko		SIGNATURE:	DATE: Mittwoch, 15. Februar 2006 08:19:46	TITLE: 2D - Ansichten Pflanzenöl Tankanlage	
CHK'D:				MATERIAL:	
APPV'D:				DWG NO.:	
MFG:				A3	
Q.A:				SHEET 1 OF 2	
REVISION			Krampitz TANKSYSTEM GMBH		



Technische Änderungen bleiben vorbehalten !
Change reserve !

UNLESS OTHERWISE SPECIFIED: DIMENSIONS ARE IN MILLIMETERS SURFACE FINISH: TOLERANCES:		FINISH:	DEBUR AND BREAK SHARP EDGES	SCALE: 1:50	WEIGHT:
DRAWN: Krisko		SIGNATURE	DATE	TITLE: 3D - Ansichten Pflanzenöl Tankanlage	
CHK'D			Mittwoch, 15. Februar 2006 08:19:46		
APPV'D					
MFG					
Q.A					
			DWG NO.		A3
			REVISION		SHEET 2 OF 2

